



Reg. No. :

Name :

**Fourth Semester B.Tech. Degree Examination, July 2015
(2008 Scheme)**

08.406 : MACHINE DRAWING (M)

Time : 4 Hours

Max. Marks : 100

PART - A

Answer **any two** questions.

1. Determine, and show by drawing, the limit dimensions for a clearance fit between mating diameter of 40 mm, providing a minimum clearance of 0.10 mm with the tolerance on the hole equal to 0.025 mm and on the shaft 0.05 mm. Assume hole basis system or shaft basis system. 10
2. By means of neat sketches and explanatory notes, interpret the meaning of the geometrical tolerances shown in Fig. A2. 10

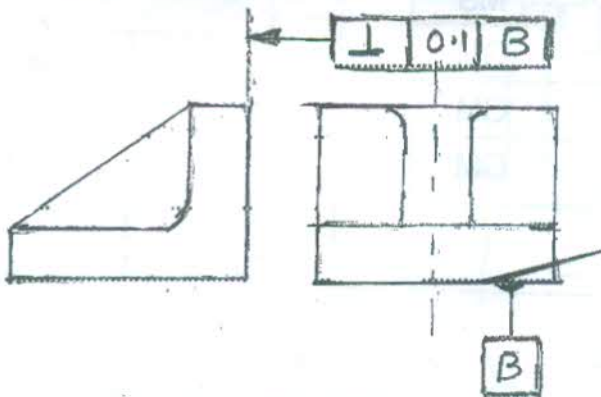


Fig. A2

3. With examples, show the method of indicating surface roughness on the following components.
 - a) Symmetrical surfaces requiring the same quality.
 - b) Cylindrical part.
 - c) Same surface quality all over.10



PART - B

1. The parts of "feed check valve" are shown in Fig. B1. Draw the assembled view thereof :
- Front view, right half in section.
 - Right-hand side view.

80

Item List :

Item	Description	Qty.	Material
1	Body	1	CI
2	Cover	1	CI
3	Stud for cover	6	MS
4	Nut for item (3)	6	MS
5	Nut for item (10)	2	MS
6	Nut for spindle	1	MS
7	Washer for spindle	1	MS
8	Hand wheel	1	CI
9	Spindle	1	MS
10	Stud for gland	2	MS
11	Gland	1	GM
12	Valve	1	GM
13	Valve seat	1	GM

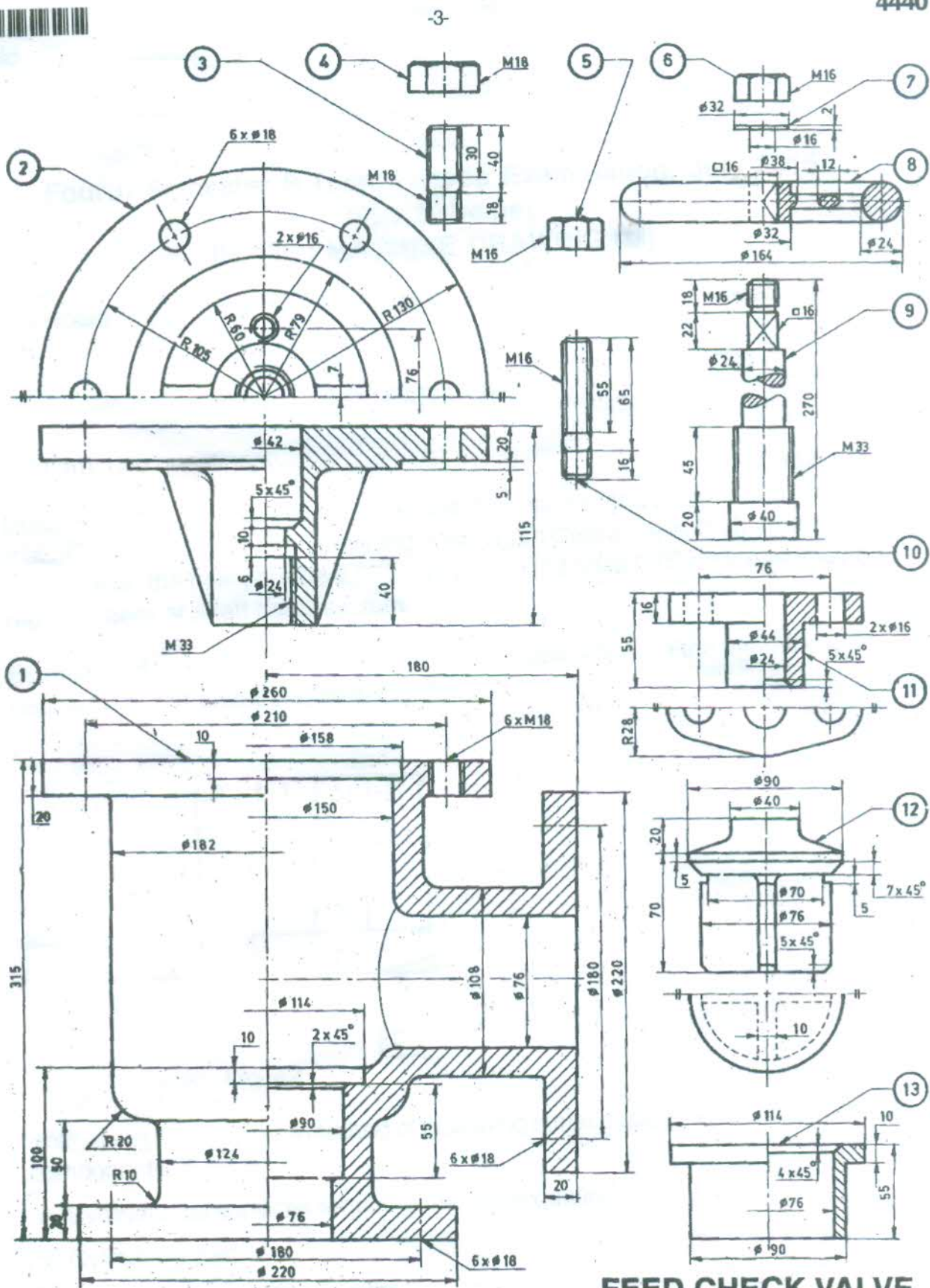


Fig. B1

FEED CHECK VALVE